



GHANDI

COUNTER STOOL

20kg | 44lbs



0.36m³ | 12.7ft³



MATERIALS / FINISHES

UPHOLSTERY: Velvet

LEGS: Walnut

METAL DETAIL: Brushed Brass

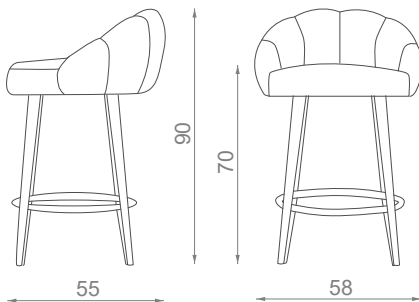
DIMENSIONS

W: 58cm | 22.8"

D: 55cm | 21.7"

H: 90cm | 35.4"

SH: 70cm | 27.6"



PRODUCT FEATURES

Structure in solid wood.

Foam in 100% PU with BS standard fire specifications.

Upholstery with upholstery straps.

Fire retardant interlining is available on request.

Handmade in Paços de Ferreira.

PRODUCT OPTIONS

UPHOLSTERY

Available in all Signature fabrics or in client's own material (COM).

LEG FINISHES

Upholstered, Beech, Ash Wood, Australia, Oak, Ebony, Walnut, stained Wenge or Lacquered in all RAL colours, in matt or gloss.

METAL

Brass, Nickel, Stainless Steel or Copper, in polished or brushed.

FINISHES AVAILABLE ON REQUEST

Legs: Gold, Silver or Copper leaf.

CLIENT'S OWN MATERIAL (COM) REQUIREMENTS

FABRIC

1.50m | 59.1"

standard with 1.40m | 55.1"