



SARTRE

BAR STOOL

30Kg | 66lbs



0.27m³ | 9.5ft³

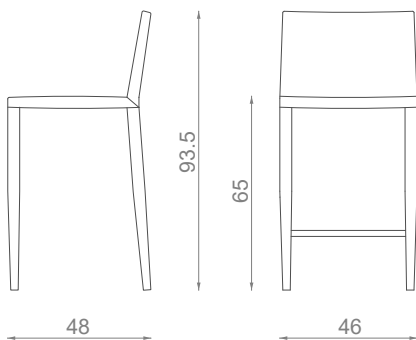


MATERIALS / FINISHES

UPHOLSTERY: Leather
LEGS: Black Metal

DIMENSIONS

W: 46cm | 18.1"
D: 48cm | 18.9"
H: 93.5cm | 36.8"
SH: 65cm | 25.6"



PRODUCT FEATURES

Structure in metal.
Foam in 100% PU with BS standard fire specifications.
Upholstery with upholstery straps.
Fire retardant interlining is available on request.
Handmade in Paços de Ferreira.

PRODUCT OPTIONS

UPHOLSTERY
Available in all Signature fabrics or in client's own material (COM).

METAL LEGS

Brass, Nickel, Stainless Steel or Copper, in polished or brushed.
Or, Lacquered in all RAL colours, in matt or gloss.

FINISHES AVAILABLE ON REQUEST

Legs: Gold, Silver or Copper leaf.

CLIENT'S OWN MATERIAL (COM) REQUIREMENTS

FABRIC

2.00m | 78.7"
standard with 1.40 m | 55.1"